

TO: Retail and Wholesale Sales Teams, Customer Service and Technical Support

FROM: Sarah Lackas & Brian Wellnitz

SUBJECT: Introduction of the all new Broan® Energy Star under-cabinet Range Hood

We are pleased to introduce the new QDE30WW, QDE30BL and QDE30SS under-cabinet Energy Star rated range hoods! These new models are powerful with energy efficient motors and lighting. They provide a sleek, modern style that are easy to clean and easy to install! The QDE30 comes in a 30" width and in three colors to complement any décor: white, black and stainless steel.



QDE30WW



QDE30BL



QDE30SS

QDE30 ENERGY STAR RANGE HOODS

The QDE30 series range hoods are great for those professionals or consumers who prefer to use energy efficient products in new construction or retrofit applications. The QDE30 range hood meets all requirements for the three major “Green” building programs: LEED® (The Leadership in Energy and Environmental Design), NAHB (National Association of Home Builders) and Energy Star®. This is the range hood for those who want maximum energy savings or simply want to help the environment. **The QDE30 Series range hood offers a total lifetime energy savings of 564 kilowatt hours over comparable standard models!!**

The QDE30 has an energy efficient 280 CFM blower which is controlled by a two speed rocker switch. This blower is extremely quiet operating at only 0.9 Sones on normal (low) speed! It also offers dual compact fluorescent 13 watt bulbs (which are included) that last 10,000 hours – five times longer than regular incandescent light bulbs. This allows for a uniformly lit cooking surface.

The QDE30 range hoods offer simple to remove aluminum filters which are dishwasher safe to ease cleaning. It also has a fully enclosed bottom to aid in trapping the grease and contaminants generated during cooking. It has a blower wheel that is easy to remove without tools and is also dishwasher-safe.

The QDE30 range hoods offer a sleek, contemporary under-cabinet design that is easy to install. The QDE30 works for duct applications only and can be converted for vertical or horizontal discharge. A 3-1/4” X 10” rectangular adapter and damper are included to simplify installation.

The QDE30 range hoods have been rigorously tested, and are certified by the Home Ventilation Institute (HVI) as proof of performance claims. They are also Energy Star listed. This is something no other competitor can claim on comparable product.

Product Availability

- The QDE30 will be in stock by February 1, 2008.
- The BPQDE30 replacement filter packs will be in stock on April 1, 2008.
 - These come in a master pack of three (3) sets of filters.

Product Details

- Brand Badge: Broan
- Finish: White, Black or Stainless Steel
- Dimensions: 29.875" (W) X 20.869" (L) X 4.373 (H)
- Minimum and Maximum Mounting Heights:
 - 20" from the bottom of the filters to the top of the electric cooking surface
 - 24" required minimum for gas cook tops and stoves
 - 30" required maximum clearance from the bottom of the filters to the top of the cooking surface
- Ducting:
 - Ducted only
 - Includes 3-1/4" X 10" rectangular adapter and damper
 - Horizontal or Vertical discharge options

Performance

- High - 280 CFM, 5.5 Sones
- Low – 100 CFM, 0.9 Sones

Packaging

- Heavy duty corrugated carton drop tested to: ISTA–1A packaging standards.
- The label is bilingual – English & French
- UPC bar code

Product Literature & Internet

- Catalogs and brochures will be updated at the next printing. We anticipate these items will be available in Q3, 2008.
- A supplemental sell sheet is provided with this bulletin that includes features and specifications to help you introduce the new models and accessories.
- Our website has been updated.
- Updated installation instructions and specification sheets are completed and are available on the website. For your convenience both of these have been provided with this bulletin.
- Electronic images have been created and are available through our Marketing Services department.

Price Sheets

- A supplemental distributor price sheet is provided with this bulletin.
- The distributor price book will be updated and available with the Energy Star range hood included in the March 1, 2008 update.

Attachments to this Bulletin

- Energy Star Range Hood Sell Sheet (99850833)
- QDE Supplemental Distributor Price Sheet
(Dated: February 4, 2008)
- QDE specification sheet (99044151a)

Good Selling!

Sarah Lackas
Product Manager

Brian Wellnitz
Marketing Manager



Save a little every day.

At Broan, we care about the environment. So we are proud to kick off our 'Ecoforward' initiative with the launch of the **QDE Series Rangehoods**. This Broan series, which has received HVI (Home Ventilating Institute) certification **and** supports requirements for Green Building Programs from USGBC® LEED®, NAHB and ENERGY STAR®, is our first to be ENERGY STAR qualified. The QDE Series offers a **total lifetime energy savings of 564 kWh over comparable standard models**.



Take home one of Broan's QDE Series Range Hoods to save energy (\$\$) and do your part for the environment.



Compact fluorescent lighting

Our range hoods offer the best of both worlds: cooking on a uniformly lit surface and energy savings, thanks to two compact fluorescent bulbs. These 13-watt bulbs can last up to 10,000 hours – five times longer than regular light bulbs.

Silence

Our motors are enveloped in acoustic insulation. This means that the noise level of the QDE Series Range Hood is less than 1 Sone at normal speed.

Efficiency and performance

Broan ensures that all its range hoods are HVI certified and perform exceptionally well. HVI certification is your guarantee that the air flow (CFM) and noise level (Sone) of our ventilation products were measured during rigorous testing carried out in an independent laboratory.

Cleaning

- Full-size filters are also dishwasher-safe.
- Fully enclosed design prevents greasy build-up in hard to reach areas.
- The blower wheel is easy to remove without tools and is dishwasher-safe.

Warranty

You can cook to your heart's content with the Broan full-year warranty.

LEED is a registered trademark of the U.S. Green Building Council.



QDE Series

Energy Efficient Range Hood



QDE30BL



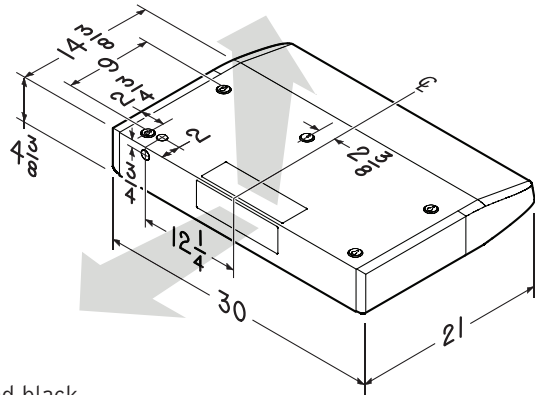
QDE30WH



QDE30SS

Features

- Under cabinet design is easy to install
- Two speed rocker switch
- 280 CFM at maximum speed
- 0.9 Sone at normal speed (100 CFM)
- Vertical or horizontal discharge
- Dual compact fluorescent 13-watt bulbs (included)
- Fully enclosed bottom to aid in trapping grease and contaminants
- Dishwasher-safe aluminum filters and blower wheel
- Ideal for new construction or retrofit applications
- Available in three finishes to accent any décor: stainless steel, white and black



Range Hood Specifications



WIDTH	STAINLESS STEEL	WHITE	BLACK	VOLTS	AMPS	CFM High/Low	SONES High/Low	DUCT
30"	QDE30SS	QDE30WW	QDE30BL	120	1.6	280/100	5.5/0.9	*3-1/4" x 10"

* Rectangular adapter/damper included



www.Broan.com

Broan-NuTone, LLC, 926 W. State Street, Hartford, WI 53027 • 800-558-1711
In Canada call 888-882-7626

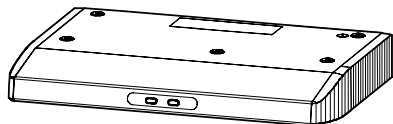


SUPPLEMENTAL

Effective
February 4, 2008
Supercedes all
previous prices

CONFIDENTIAL DISTRIBUTOR NET PRICE LIST

Energy Star Hoods



A sleek, contemporary styled range hood with high-performance 280 CFM capability and Energy Star qualification. Features include energy efficient dual 13-watt lamps (bulbs included), 2-speed control, fully enclosed bottom pan for easy cleaning and dishwasher-safe filters.

QDE30—3-1/4" x 10" Ducting
Internal Blower
High - 280 CFM, 5.5 Sones (Horizontal)
Low - 100 CFM, 0.8 Sones (Horizontal)

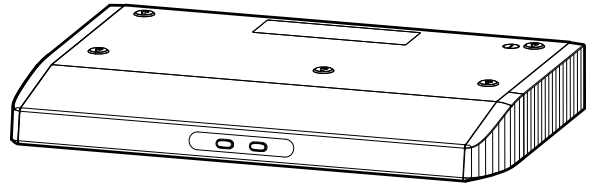
High—240 CFM, 6.5 Sones (Vertical)
Low—100 CFM, 0.9 Sones (Vertical)

Model Number	Code	Description	Std. Pkg.	List Price Ea.	Dist. Price Ea.
QDE30WW	RH	30", 280 CFM, White-on-White	1	\$549.00	\$274.50
QDE30BL	RH	30", 280 CFM, Black	1	\$549.00	\$274.50
QDE30SS	RH	30", 280 CFM, Stainless Steel	1	\$576.00	\$288.00
BPQDE30	AC	Aluminum replacement filter for QDE30 Series (3 Pack)	3 *	\$44.80	\$22.40

* All pricing reflects the individual item cost. You must order in multiples as indicated in the "Std. Pk." column.

Model	UPC No.	Ind. Wt.	Ctn. Wt.	Qty.	Length	Width	Height	Cube
QDE30WW	0 26715 18176 6	27.0	27.0	1	2.25	2.25	0.08	0.42
QDE30BL	0 26715 18177 3	27.0	27.0	1	2.25	2.25	0.08	0.42
QDE30SS	0 26715 18178 0	27.0	27.0	1	2.25	2.25	0.08	0.42
BPQDE30	0 26715 18227 5	TBD	TBD	3	TBD	TBD	TBD	TBD

QDE SERIES RANGE HOOD



A sleek, contemporary styled range hood with high-performance capability and Energy Star qualification.

FEATURES

- Clean, sleek appearance
- Durable, baked-on polyester finish paint or brushed finish stainless steel
- Over 50% quieter than the average range hood
- Large, full filter design - dishwasher-safe for easy cleaning
- Dual fluorescent lights provide lighting for cooktop visibility (lamps included)
- Centrifugal blower provides increased performance and quieter operation.
- Flush-mounted rocker controls
- Versatile design allows for 3¼" x 10" vertical and horizontal ducting
- Available in 30" width in White, Black, and Stainless Steel

SPECIFICATIONS

Volts	120
HZ	60
Amps	1.2
CFM (Normal)	100
Max. CFM (High)	280
Sones (Normal)	0.9
Sones (High)	5.5
Controls	2-sp rocker
Fluorescent Light	CFQ13W/G24q †

† 2 bulbs included.



HVI-2100 CERTIFIED RATINGS comply with new testing technologies and procedures prescribed by the Home Ventilating Institute, for off-the-shelf products, as they are available to consumers. Product performance is rated at 0.1 in. static pressure, based on tests conducted in a state-of-the-art test laboratory. Sones are a measure of humanly-perceived loudness, based on laboratory measurements.

TYPICAL SPECIFICATION

Range hood shall be Broan QDE Series.

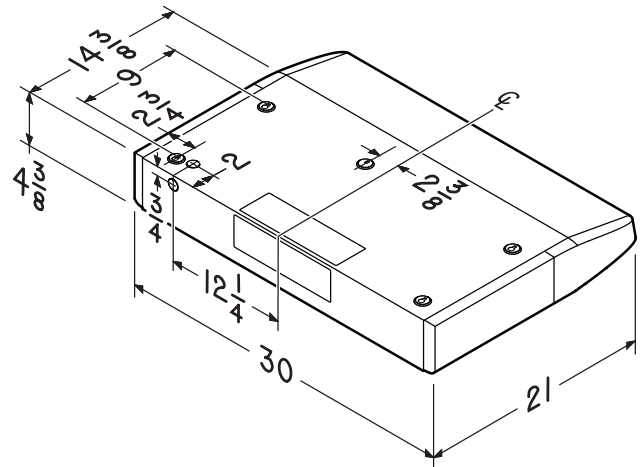
Unit will have clean, contoured appearance with no sharp edges. Finish to be baked-on polyester paint (matte finish stainless steel). It must have a fully-enclosed bottom and dishwasher-safe, full filters.

Hood to be convertible between 3¼" x 10" vertical and horizontal ducted (using two washable aluminum filters).

Range hood to have a centrifugal blower and (2) 13-watt (max.) fluorescent lights. Blower and lights shall be operated using rocker-type controls.

Air delivery shall be no less than 100 cfm and sound level no greater than 0.9 Sones (280 cfm and 5.5 Sones on High Speed). Air and sound ratings to be certified by HVI.

Unit shall be U.L. and cU.L. listed and Energy Star qualified.



Broan-NuTone LLC Hartford, Wisconsin www.broan.com 800-558-1711

REFERENCE	QTY.	REMARKS	Project
			Location
			Architect
			Engineer
			Contractor
			Submitted by Date